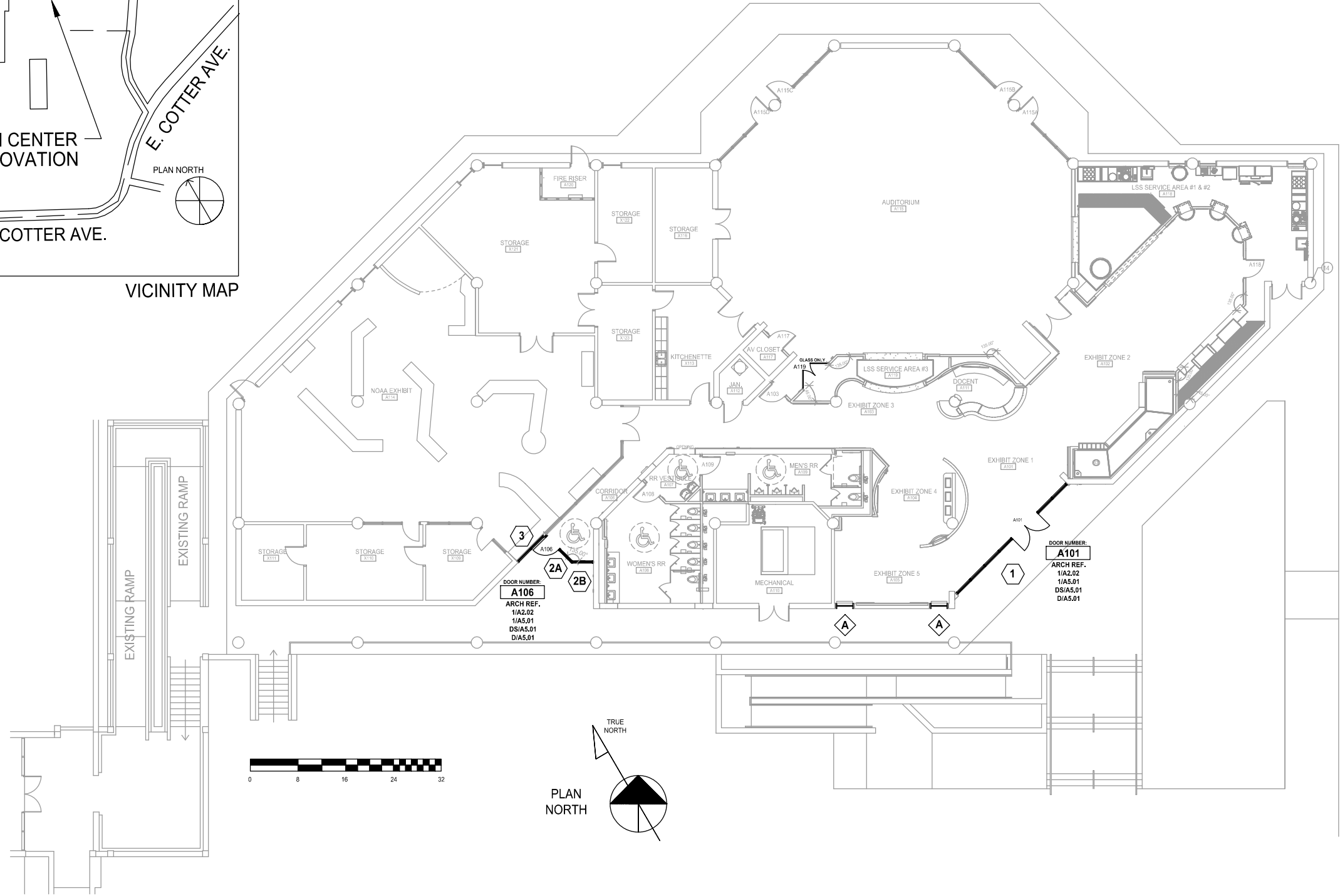


VICINITY MAP



PLAN VIEW

SCALE: NTS

QTY: 1 - 1

A - 2 2A - 1 2B - 1 3 - 1

ARCH REF: 1/A2.02

01

GROUND FLOOR PLAN

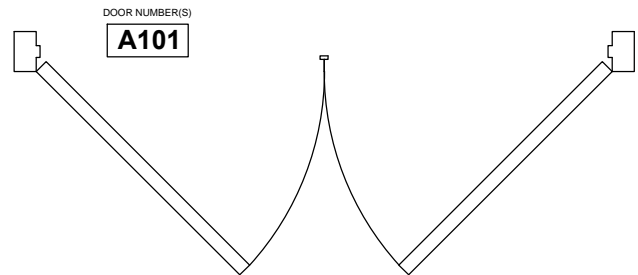
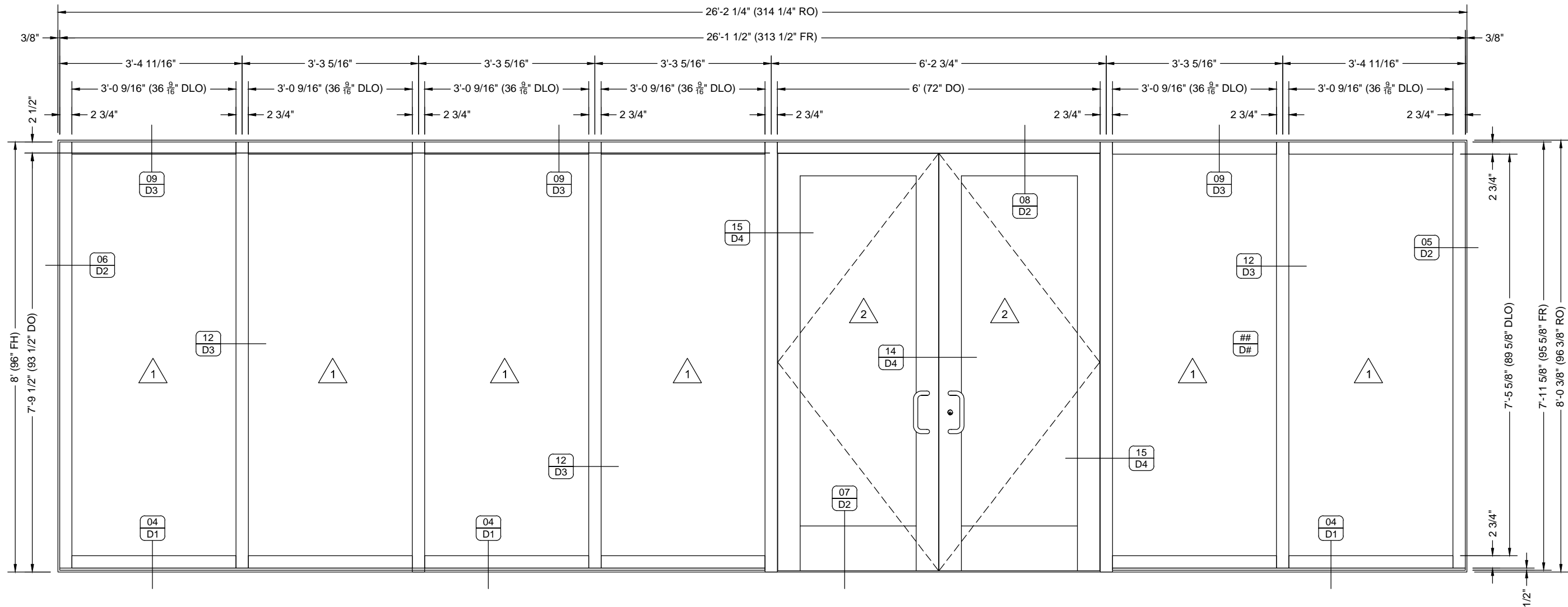
**KAWNEER 500 IR WIDE STILE ALUMINUM STOREFRONT ENTRANCE
 KAWNEER, IR 501 UT ALUMINUM STOREFRONT FRAMING SYSTEM**

NO.	DATE	BY	DESCRIPTION
1	10/07/21	fp	First Submittal

EVINS GLASS SERVICE, INC
 101 N.P.I.D., CORPUS CHRISTI, TX 78406
 WORK (361) 884-3995 FAX (361) 884-4262

PROJECT: UT MARINE SCIENCE INSTITUTE
RENOVATION OF PATTON CENTER
 ARCHITECT: TURNER RAMIREZ ARCHITECTS
 PROJECT: BEECROFT CONSTRUCTION

PROJECT NO.	EGS-2109-01
DRAWN BY	fp
DATE	10/07/01
SCALE	NTS
DRAWING	FLOOR PLANS
SHEET	P1



ELEVATION

QUANTITY: 01
 SCALE: 1/2" = 1'-0"
 ARCH REF: 1/A2.02
 1/A5.01 D/A5.01



EXTERIOR ENTRANCE

KAWNEER 500 IR WIDE STILE ALUMINUM STOREFRONT ENTRANCE
 KAWNEER, IR 501 UT ALUMINUM STOREFRONT FRAMING SYSTEM

HARDWARE SET W714A

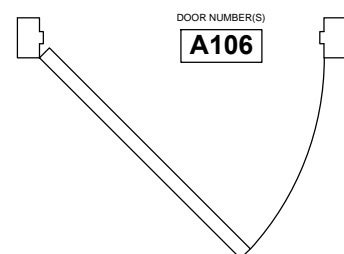
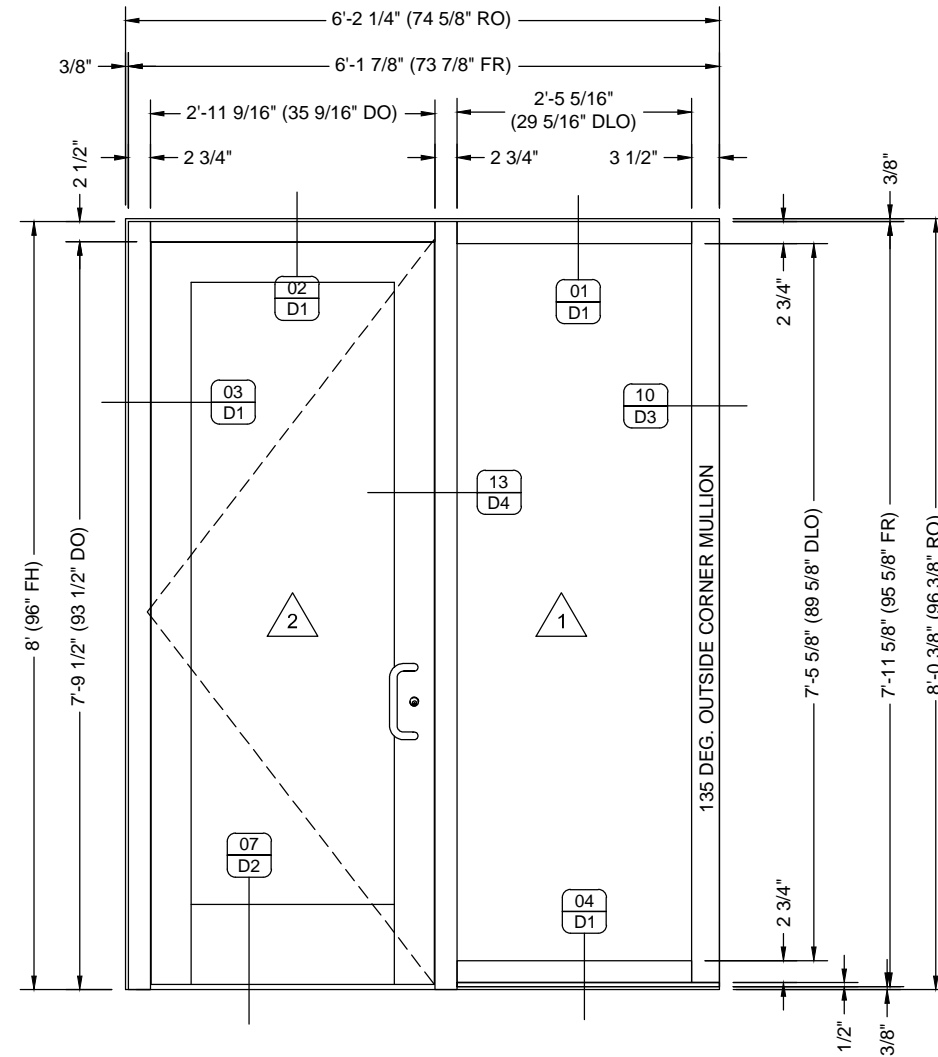
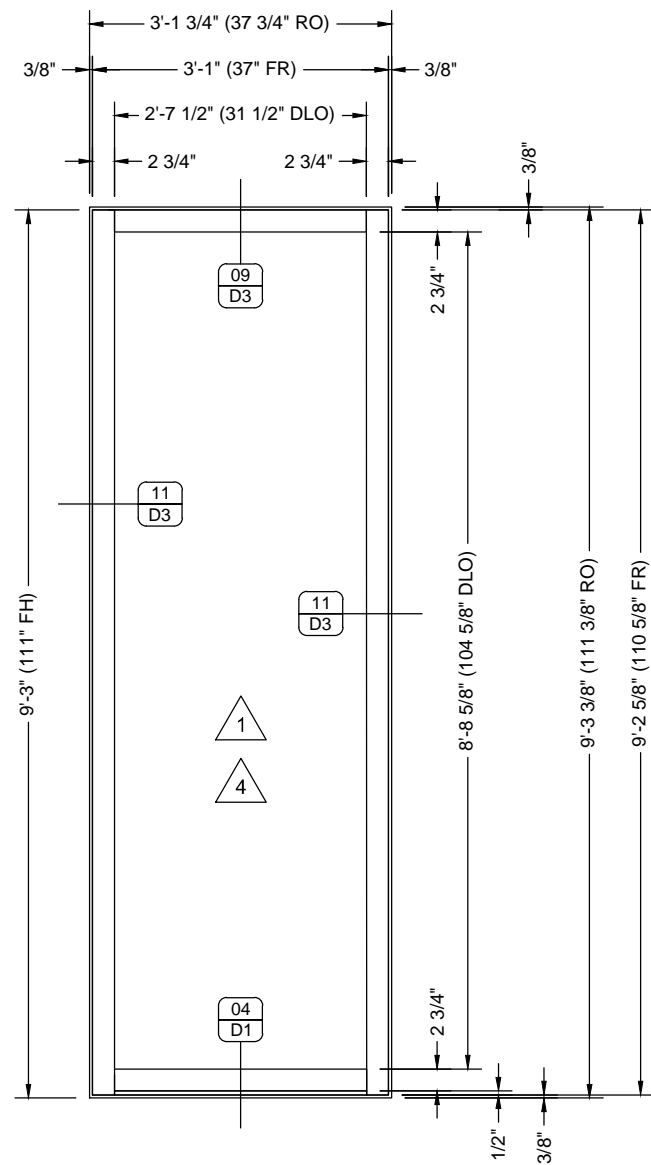
2	CONTINUOUS HINGE	790-905	630	ROT
1	TDI PANIC HARDWARE	KAW HD-HH-9947-F-DT	628	VON
1	TDI PANIC HARDWARE	KAW HD-HH-9947-F-NL	628	VON
1	R. CYLINDER	AS REQUIRED	626	BES
1	PERM CORE	MATCH EXISTING KEY SYSTEM	626	BES
2	CLOSER	HD7000-SDS-SNB	689	BES
2	FLOOR STOP	FS18L	BLK	IVE
1	RAIN DRIP	142A DW + 4"	AA	ZER
2	DOOR SWEEP	39A-DOOR WIDTH	A	ZER
1	THRESHOLD	655A-V3E-FRAME WIDTH OR AS DETAILED	A	ZER
	PERIMETER SEAL	BY FRAME MFR.		
	MEETING STILE SEAL	BY DOOR MFR.		
	BALANCE HARDWARE	BY DOOR MANUFACTURER		

NO.	DATE	BY	DESCRIPTION
1	10/07/21	fp	First Submittal

EVINS GLASS SERVICE, INC
 101 N.P.I.D., CORPUS CHRISTI, TX 78406
 WORK (361) 884-3995 FAX (361) 884-4262

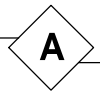
PROJECT: UT MARINE SCIENCE INSTITUTE
RENOVATION OF PATTON CENTER
 ARCHITECT: TURNER RAMIREZ ARCHITECTS
 PROJECT: BEECROFT CONSTRUCTION
 (361) 882-0791

PROJECT NO.		EGS-2109-01
DRAWN BY	DATE	
fp	10/07/01	
SCALE		1/2" = 1'-0"
DRAWING		ELEVATIONS
SHEET		E1



ELEVATION

QUANTITY: 02
 SCALE: 1/2" = 1'-0"
 ARCH REF: 1/A2.02
 A/A5.01
 GL-1/A5.01



EXTERIOR WINDOW FILM

KAWNEER, IR 501 UT ALUMINUM STOREFRONT FRAMING SYSTEM
 APPROVED COMMERCIAL GRADE DECORATIVE GLASS FILM

ELEVATION

QUANTITY: 01
 SCALE: 1/2" = 1'-0"
 ARCH REF: 1/A2.02
 1/A5.01
 D/A5.01
 DS/A5.01



EXTERIOR ENTRANCE

KAWNEER 500 IR WIDE STILE ALUMINUM STOREFRONT ENTRANCE
 KAWNEER, IR 501 UT ALUMINUM STOREFRONT FRAMING SYSTEM

HARDWARE SET W715A

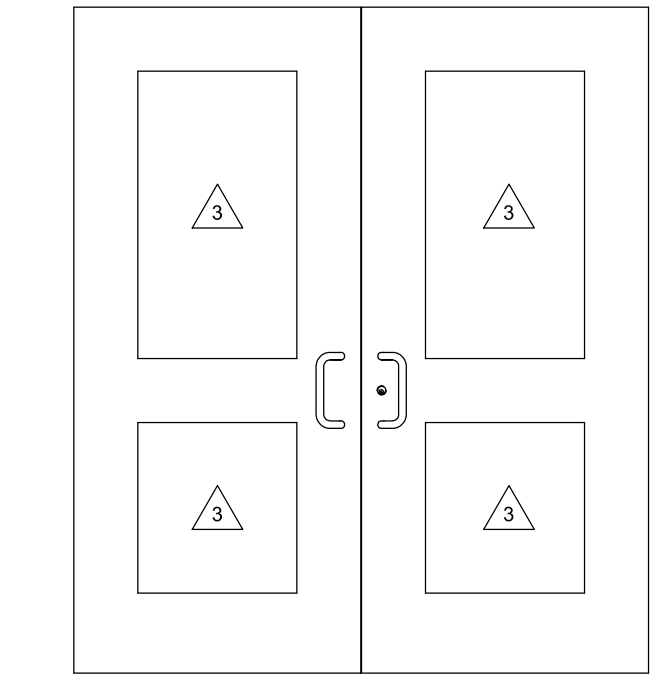
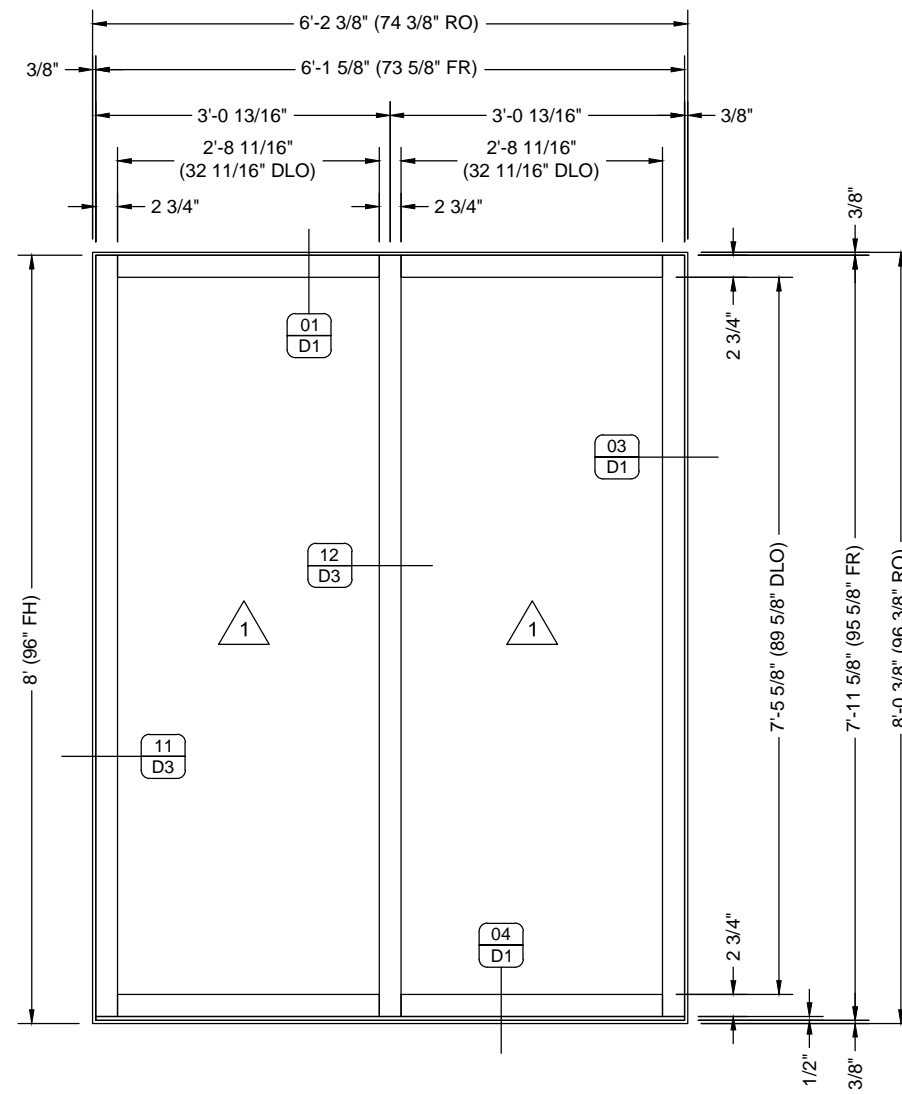
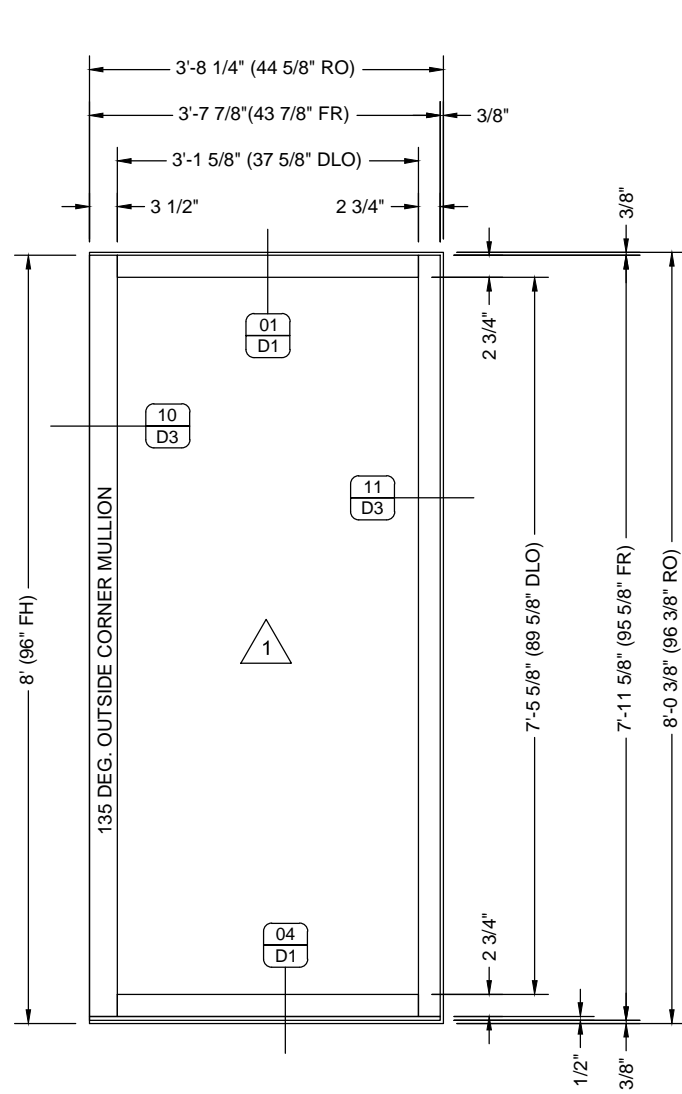
1 CONTINUOUS HINGE	790-905	630	ROT
1 TDI PANIC HARDWARE	HH-99-NL-299F-SNB	628	VON
1 R. CYLINDER	AS REQUIRED	626	BES
1 PERM CORE	MATCH EXISTING KEY SYSTEM	626	BES
1 CLOSER	HD7000-SDS-SNB	689	BES
1 FLOOR STOP	FS18L	BLK	IVE
1 RAIN DRIP	142A DW + 4"	AA	ZER
1 DOOR SWEEP	39A-DOOR WIDTH	A	ZER
1 THRESHOLD	655A-V3E-FRAME WIDTH OR AS DETAILED	A	ZER
BALANCE HARDWARE	BY DOOR MANUFACTURER		

PROJECT	DATE	DESCRIPTION
1	10/07/21	First Submittal

EVINS GLASS SERVICE, INC
 101 N.P.I.D., CORPUS CHRISTI, TX 78406
 WORK (361) 884-3995 FAX (361) 884-4262

PROJECT: UT MARINE SCIENCE INSTITUTE
RENOVATION OF PATTON CENTER
 ARCHITECT: TURNER RAMIREZ ARCHITECTS
 (361) 984-9800
 PROJECT: BEECROFT CONSTRUCTION
 (361) 862-0791

PROJECT NO.	
EGS-2109-01	
DRAWN BY	DATE
fp	10/07/01
SCALE	
1/2" = 1'-0"	
DRAWING	
ELEVATIONS	
SHEET	
E2	



ELEVATION

3

EXTERIOR STOREFRONT

KAWNEER, IR 501 UT ALUMINUM STOREFRONT FRAMING SYSTEM

QUANTITY: 01
 SCALE: 1/2" = 1'-0"
 ARCH REF: 1/A2.02
 1/A5.01

ELEVATION

2B

EXTERIOR STOREFRONT

KAWNEER, IR 501 UT ALUMINUM STOREFRONT FRAMING SYSTEM

QUANTITY: 01
 SCALE: 1/2" = 1'-0"
 ARCH REF: 1/A2.02 1/A5.01

ELEVATION

2B

INTERIOR ENTRANCE

DOORS NOT PART OF CONTRACT
 GLASS ONLY

QUANTITY: 01
 SCALE: 1/2" = 1'-0"
 ARCH REF: 1/12.02
 DS/A5.01
 GL/A5.01
 B/A5.01

NO.	DATE	BY	DESCRIPTION
1	10/07/21	fp	First Submittal

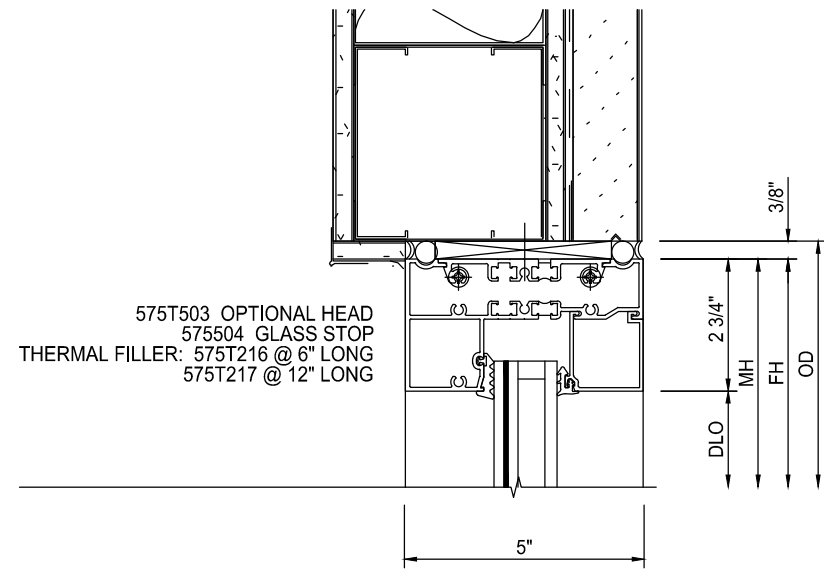
EVINS GLASS SERVICE, INC

101 N.P.I.D., CORPUS CHRISTI, TX 78406
 WORK (361) 884-3995 FAX (361) 884-4262

PROJECT: UT MARINE SCIENCE INSTITUTE
RENOVATION OF PATTON CENTER

ARCHITECT: TURNER RAMIREZ ARCHITECTS
 PROJECT: BEECROFT CONSTRUCTION

PROJECT NO.	EGS-2109-01
DRAWN BY	fp
DATE	10/07/01
SCALE	1/2" = 1'-0"
DRAWING	ELEVATIONS
SHEET	E3



575T503 OPTIONAL HEAD
 575504 GLASS STOP
 THERMAL FILLER: 575T216 @ 6" LONG
 575T217 @ 12" LONG

DETAIL

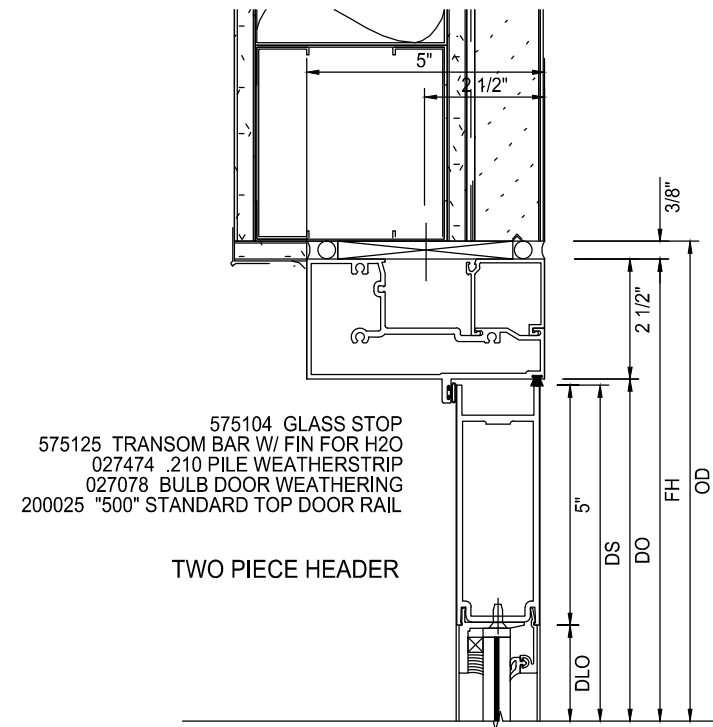
01

STOREFRONT HEAD

SCALE: 3" = 1'-0"

ARCH REF: 10/A/3.01
 1/A2.01
 1/A2.02
 3/A3.01
 1/A5.01

KAWNEER, IR 501 UT ALUMINUM STOREFRONT FRAMING SYSTEM



575104 GLASS STOP
 575125 TRANSOM BAR W/ FIN FOR H2O
 027474 .210 PILE WEATHERSTRIP
 027078 BULB DOOR WEATHERING
 200025 "500" STANDARD TOP DOOR RAIL

TWO PIECE HEADER

DETAIL

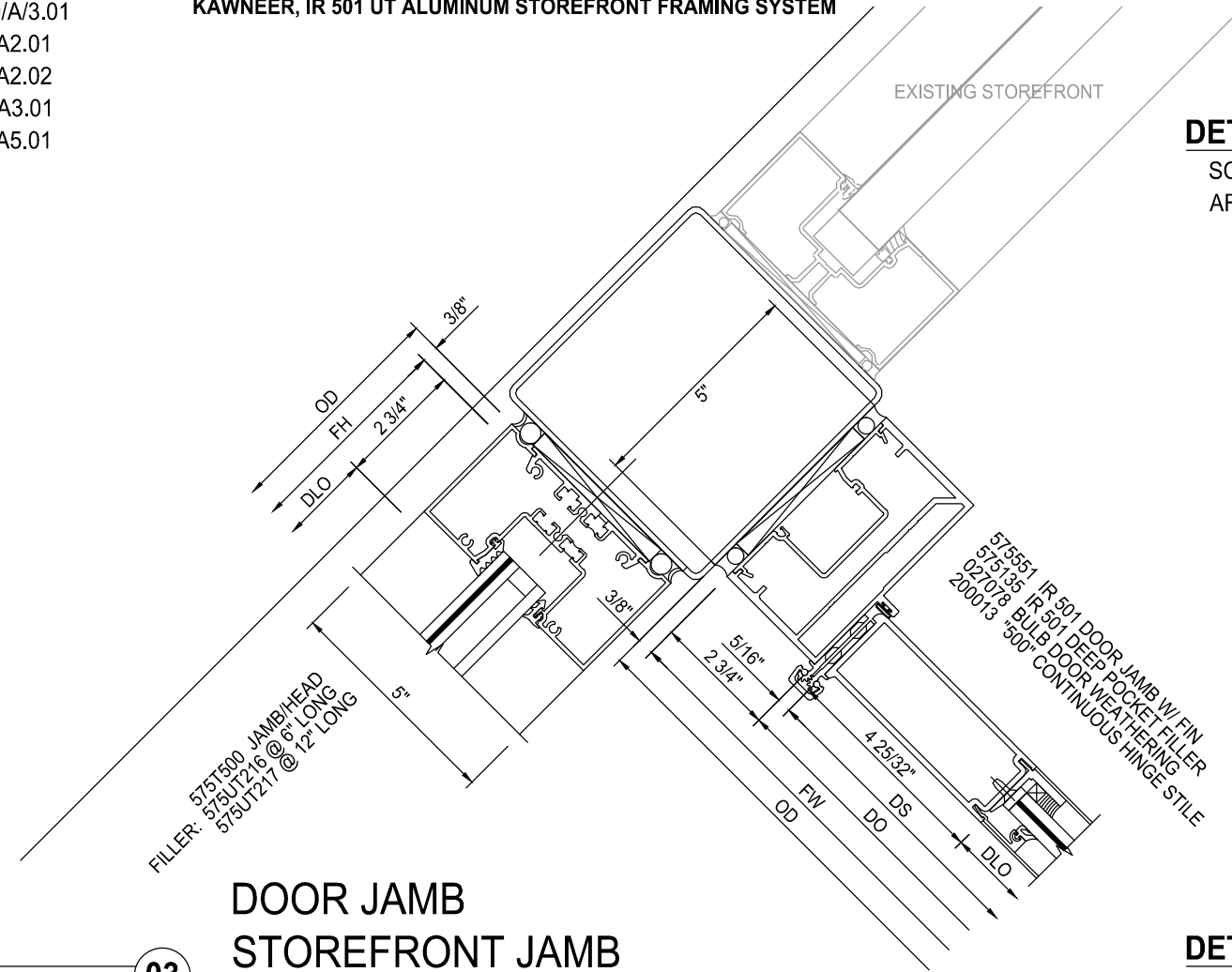
02

DOOR HEADER

SCALE: 3" = 1'-0"

ARCH REF: 10/A3.01
 1/A2.01
 3/A3.01
 10/A3.01
 DS/A5.01

KAWNEER 500 IR WIDE STILE ALUMINUM STOREFRONT ENTRANCE
 KAWNEER, IR 501 UT ALUMINUM STOREFRONT FRAMING SYSTEM



575T500 JAMB/HEAD
 FILLER: 575UT216 @ 6" LONG
 575UT217 @ 12" LONG

575551 IR 501 DOOR JAMB W/ FIN
 575135 IR 501 DEEP POCKET FILLER
 027078 BULB DOOR WEATHERING
 200013 "500" CONTINUOUS HINGE STILE

DETAIL

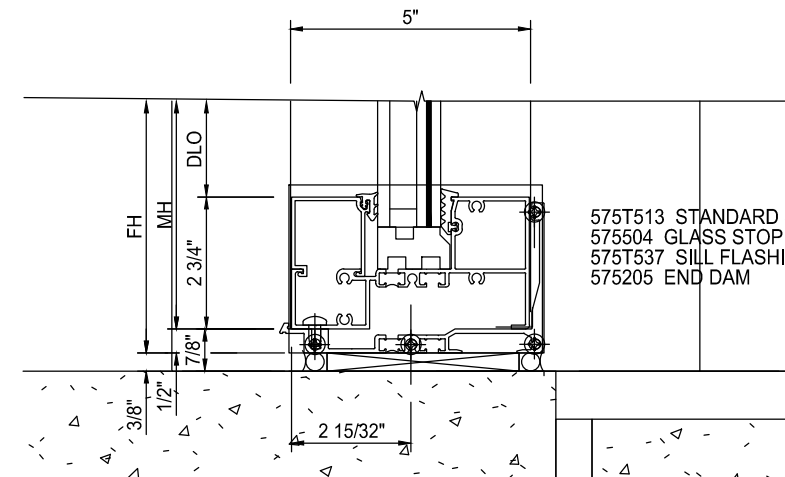
03

**DOOR JAMB
 STOREFRONT JAMB**

SCALE: 3" = 1'-0"

ARCH REF: 7/A4.01
 A/2.02
 3/A5.01

KAWNEER 500 IR WIDE STILE ALUMINUM STOREFRONT ENTRANCE
 KAWNEER, IR 501 UT ALUMINUM STOREFRONT FRAMING SYSTEM



575T513 STANDARD SILL
 575504 GLASS STOP
 575T537 SILL FLASHING
 575205 END DAM

DETAIL

04

STOREFRONT SILL

SCALE: 3" = 1'-0"

ARCH REF: 12/A3.01
 1/A2.01
 3/A3.01
 1/A5.01

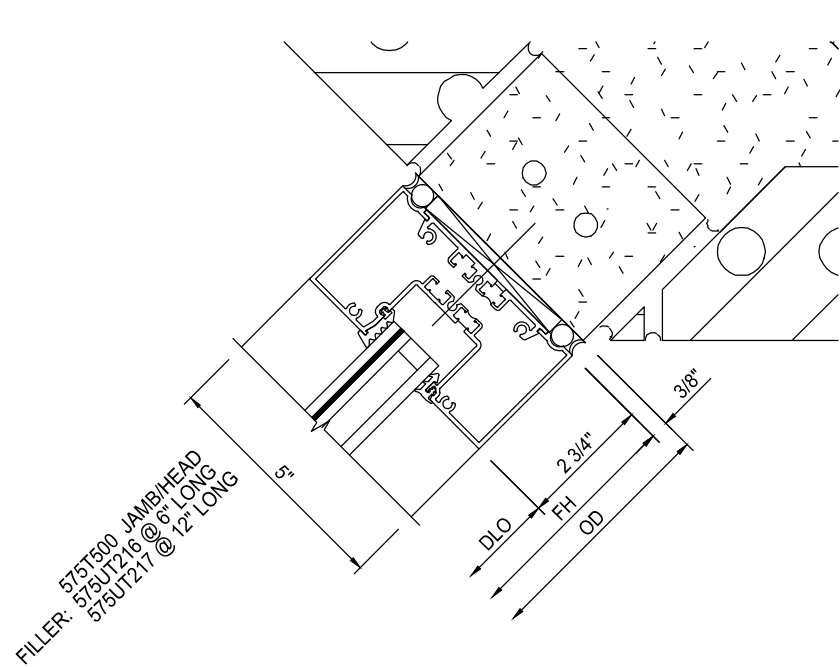
KAWNEER, IR 501 UT ALUMINUM STOREFRONT FRAMING SYSTEM

NO.	DATE	BY	DESCRIPTION
1	10/07/21	fp	First Submittal

EVINS GLASS SERVICE, INC
 101 N.P.I.D., CORPUS CHRISTI, TX 78406
 WORK (361) 884-3995 FAX (361) 884-4262

PROJECT: UT MARINE SCIENCE INSTITUTE
RENOVATION OF PATTON CENTER
 ARCHITECT: TURNER RAMIREZ ARCHITECTS
 (861) 984-8800
 PROJECT: BEECROFT CONSTRUCTION
 (361) 882-0791

PROJECT NO.	EGS-2109-01
DRAWN BY	fp
DATE	10/07/01
SCALE	3" = 1'-0"
DRAWING	DETAILS
SHEET	D1



DETAIL

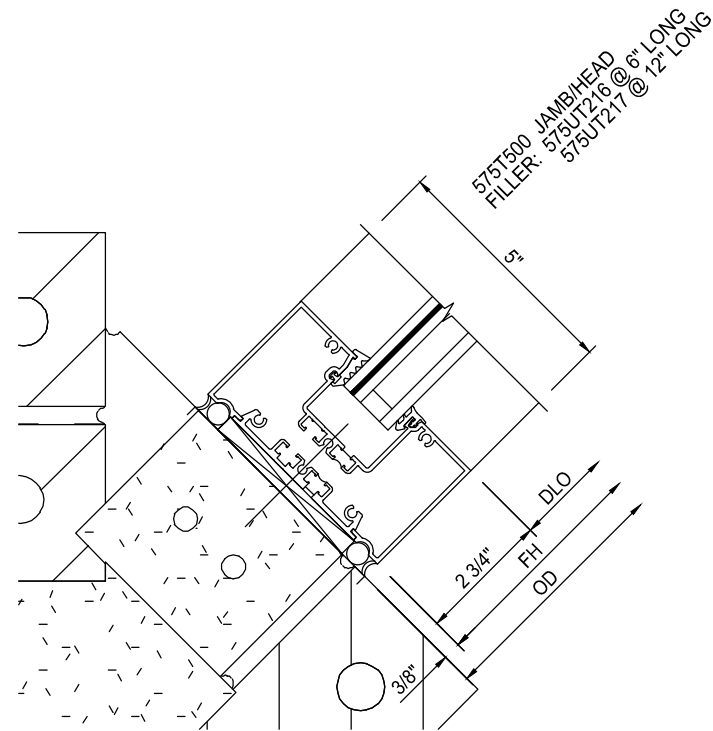
05

STOREFRONT JAMB

SCALE: 3" = 1'-0"

ARCH REF: 2/A4.01
1/A2.02

KAWNEER, IR 501 UT ALUMINUM STOREFRONT FRAMING SYSTEM



DETAIL

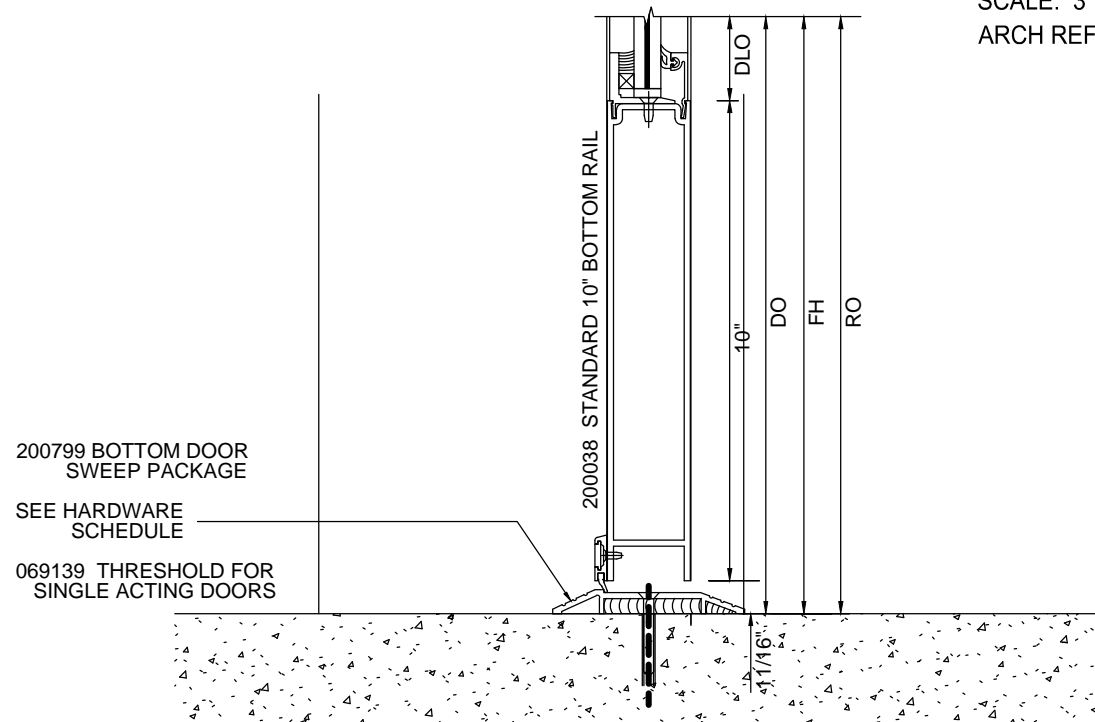
06

STOREFRONT JAMB

SCALE: 3" = 1'-0"

ARCH REF: 1/A4.01
1/A2.02

KAWNEER, IR 501 UT ALUMINUM STOREFRONT FRAMING SYSTEM



DETAIL

07

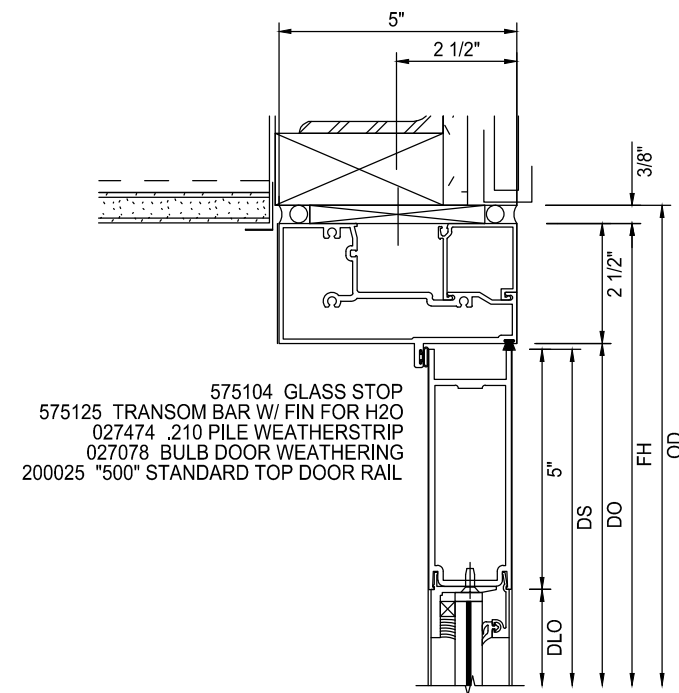
BOTTOM RAIL

SCALE: 3" = 1'-0"

ARCH REF: 11/A5.02
3/A3.01 1/A5.01

KAWNEER 500 IR WIDE STILE ALUMINUM STOREFRONT ENTRANCE

D/A5.01 DS/A5.01 1/A5.02



DETAIL

08

DOOR HEADER

SCALE: 3" = 1'-0"

ARCH REF: 3/A5.02
1/A5.01
DS/A5.01

KAWNEER 500 IR WIDE STILE ALUMINUM STOREFRONT ENTRANCE
KAWNEER, IR 501 UT ALUMINUM STOREFRONT FRAMING SYSTEM

NO.	DATE	BY	DESCRIPTION
1	10/07/21	fp	First Submittal

EVINS GLASS SERVICE, INC

101 N.P.I.D., CORPUS CHRISTI, TX 78406

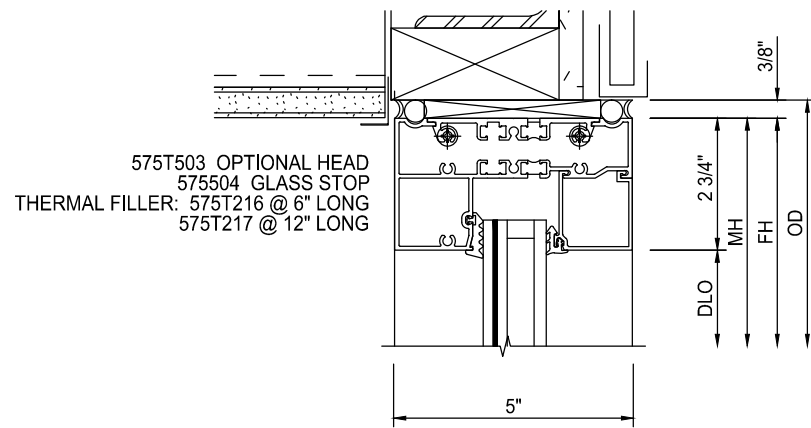
WORK (361) 884-3995 FAX (361) 884-4262

PROJECT: UT MARINE SCIENCE INSTITUTE
RENOVATION OF PATTON CENTER

ARCHITECT: TURNER RAMIREZ ARCHITECTS

PROJECT: BEECROFT CONSTRUCTION

PROJECT NO.	EGS-2109-01
DRAWN BY	fp
DATE	10/07/01
SCALE	3" = 1'-0"
DRAWING	DETAILS
SHEET	D2



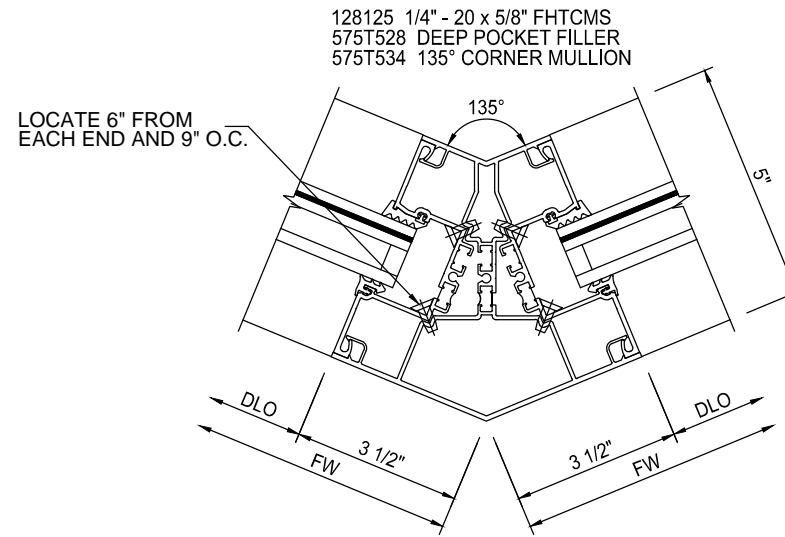
DETAIL

SCALE: 3" = 1'-0"
 ARCH REF: 3/A5.02
 1/A5.01

09

STOREFRONT HEAD

KAWNEER, IR 501 UT ALUMINUM STOREFRONT FRAMING SYSTEM



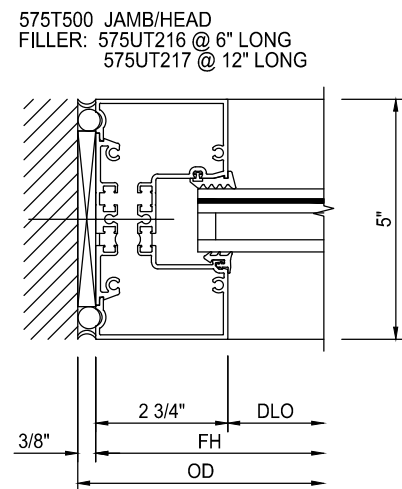
DETAIL

SCALE: 3" = 1'-0"
 ARCH REF: 12/A5.02
 1/A2.02 1/A5.01 3/A5.01

10

OUTSIDE CORNER (135 degrees)

KAWNEER, IR 501 UT ALUMINUM STOREFRONT FRAMING SYSTEM



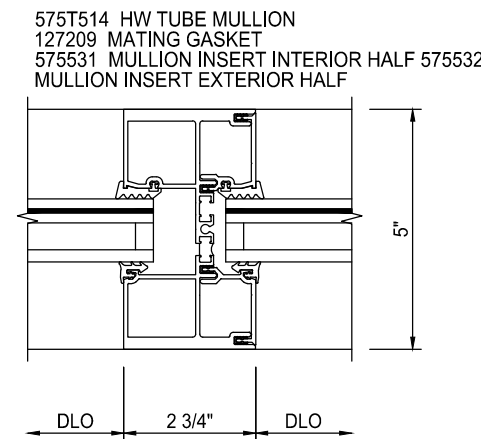
DETAIL

SCALE: 3" = 1'-0"
 ARCH REF: N/A

11

STOREFRONT JAMB

KAWNEER, IR 501 UT ALUMINUM STOREFRONT FRAMING SYSTEM



DETAIL

SCALE: 3" = 1'-0"
 ARCH REF: N/A

12

VERTICAL MULLION

KAWNEER, IR 501 UT ALUMINUM STOREFRONT FRAMING SYSTEM

NO.	DATE	BY	DESCRIPTION
1	10/07/21	fp	First Submittal

EVINS GLASS SERVICE, INC
 101 N.P.I.D., CORPUS CHRISTI, TX 78406
 WORK (361) 884-3995 FAX (361) 884-4262

PROJECT: UT MARINE SCIENCE INSTITUTE
RENOVATION OF PATTON CENTER
 ARCHITECT: TURNER RAMIREZ ARCHITECTS
 (361) 984-8800
 PROJECT: BEECROFT CONSTRUCTION
 (361) 882-0791

PROJECT NO.	EGS-2109-01
DRAWN BY	fp
DATE	10/07/01
SCALE	3" = 1'-0"
DRAWING	DETAILS
SHEET	D3